

Extreme Performance from Rexnord

RexPlusCarbon

A circular graphic with a green gradient background. At the top is the Rexnord logo. Below it, there are icons of a green leaf and two blue water droplets. To the right of these icons, the text reads "RexPlusCarbon" in a bold font, followed by "no lubrication" and "excellent corrosion resistance" in a smaller font.

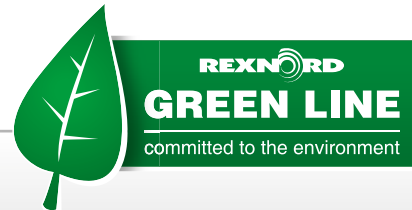
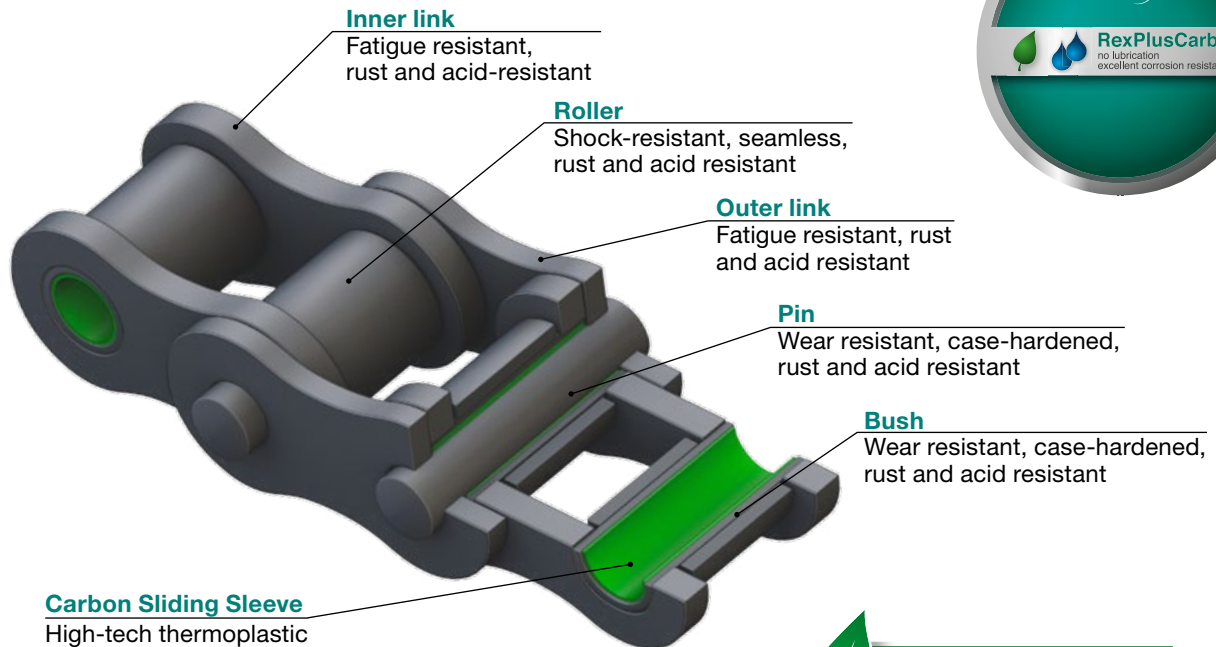
REXNORD

RexPlusCarbon
no lubrication
excellent corrosion resistance



RexPlusCarbon

Extreme Performance from Rexnord.



APPLICATION

- Versatile use
- Especially for critical environmental conditions such as water, steam, and aggressive liquids
- Food industry, packing industry, freezing industry, automotive industry

CHARACTERISTICS

- High long-term loading capacity
- Extremely rust and acid resistant
- Optimized hard wearing chain link
- Seamless rollers
- NSF H1 certification
- High Tech carbon sliding sleeves
- Patented special steel

ADVANTAGES

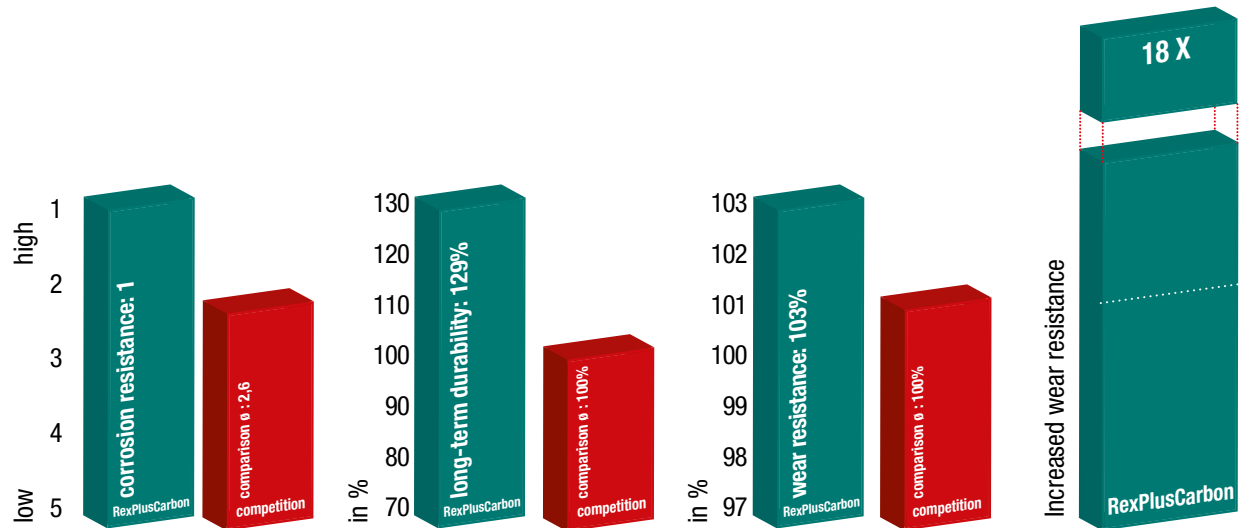
- No downtime, maintenance free
- No contamination of conveyed goods and surroundings, as no lubricants are necessary
- Trouble-free cleaning for a high level of cleanliness
- Maximum hygiene
- Low-noise and environment friendly
- High energy efficiency

LUBRICATION

- Food-grade lubricant
- Temperature range from - 40° C bis + 100° C
- Special versions suitable for temperatures up to + 175° C

RexPlusCarbon in comparison

RexPlusCarbon is more corrosion resistant, more fatigue resistant, and extremely wear resistant in comparison with its competitors.



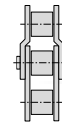
Recommended chain tractive power for appropriate speeds

Chain type	temperature range -40° C to +80° C admissible tractive power for				temperature range +80° C to +100° C admissible tractive power for	
	N	N	N	N	N	N
	up to 0,5 m/s	up to 1,0 m/s	up to 1,5 m/s	up to 2,0 m/s	up to 0,5 m/s	up to 1,0 m/s
08 B-1 SS CB	850	750	650	500	680	600
10 B-1 SS CB	1100	1000	900	670	880	800
12 B-1 SS CB	1500	1300	1100	890	1200	1040
08 B-2 SS CB	1500	1300	1100	900	1200	1000
10 B-2 SS CB	1900	1800	1600	1200	1500	1400
12 B-2 SS CB	2600	2300	1900	1600	2100	1800



RexPlusCarbon - European Standard

Extreme Performance from Rexnord.



Simplex roller chains



Applications & Characteristics

- Highly versatile, particularly for critical applications
- Maximum hygiene
- excellent resistance to rust and acids



Maintenance & Service life

- Maintenance-free
- Continuous high loading capacity

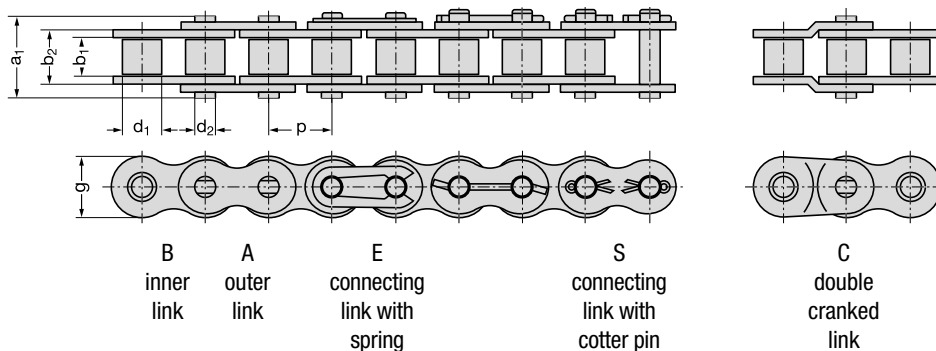


Eco-friendly

- NSF H1 certification
- No relubrication required

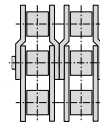
RexPlusCarbon-Simplex roller chains

Chain No.	Pitch		Width between inner plates		Roller diameter	Pin diameter	Width over inner link	Plate depth	Transverse pitch	Pin length	Connecting pin length	Bearing area	Average tensile strength	Weight	Loose parts			
	inch	mm	b ₁ min	d ₁ max	d ₂ max	b ₂ max	g max	e	a ₁ max	a ₃ max	A	F _B	q	A	B	C	E	
			mm	mm	mm	mm	mm	mm	mm	mm	mm	mm	cm ²	N	kg/m			
08 B - 1 SS CB	0.50	12.7	7.75	8.51	4.45	11.30	11.6	-	17.0	19.0	0.50	11 000	0.7	x	x	x	x	
10 B - 1 SS CB	0.625	15.875	9.65	10.16	5.08	13.28	14.6	-	18.9	22.0	0.67	14 500	0.9	x	x	x	x	
12 B - 1 SS CB	0.75	19.05	11.68	12.07	5.72	15.62	15.9	-	22.3	25.1	0.89	17 500	1.2	x	x	x	x	
16 B - 1 SS CB	1.00	25.4	17.02	15.88	8.28	25.40	20.5	-	35.4	42.4	2.10	44 000	2.6	x	x	x	x	



RexPlusCarbon - European Standard

Extreme Performance from Rexnord.



Duplex roller chains



Applications & Characteristics

- Highly versatile, particularly for critical applications
- Maximum hygiene
- Excellent resistance to rust and acids



Maintenance & Service life

- Maintenance-free
- Continuous high loading capacity



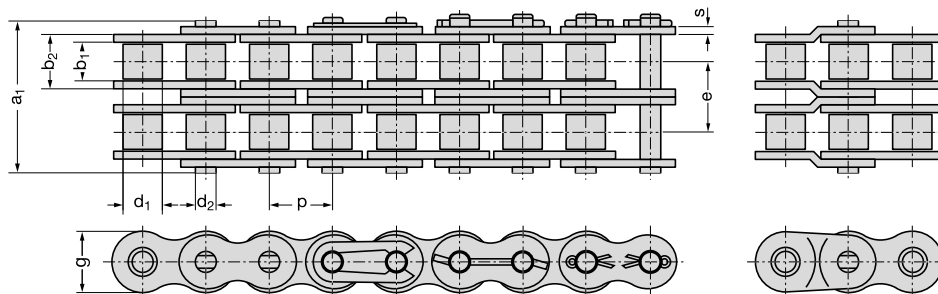
Eco-friendly

- NSF H1 certification
- No relubrication required



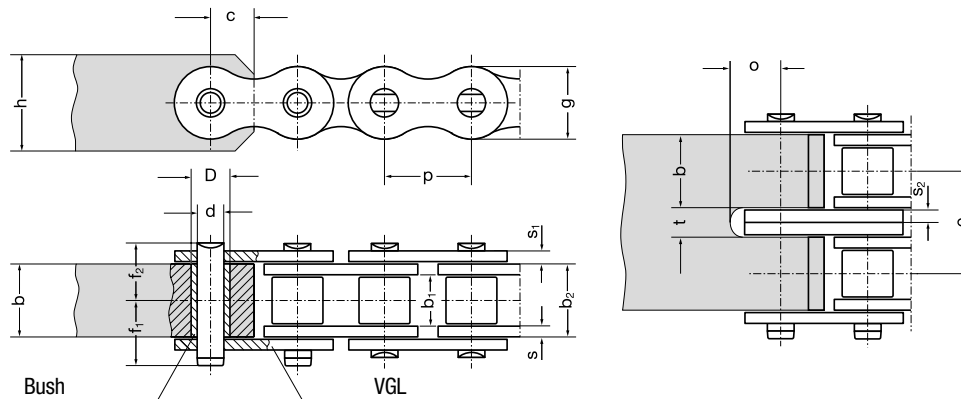
RexPlusCarbon-Duplex roller chains

Chain No.	Pitch		Width between inner plates		Roller diameter	Pin diameter	Width over inner link	Plate depth	Transverse pitch	Pin length	Connecting pin length	Bearing area	Average tensile strength	Weight	Loose parts			
	inch	mm	b ₁ min	d ₁ max	d ₂ max	b ₂ max	g max	e	a ₁ max	a ₃ max	A	F _B	q	A	B	C	E	
			mm	mm	mm	mm	mm	mm	mm	mm	mm	mm	mm	N	kg/m	x	x	x
08 B - 2 SS CB	0.50	12.7	7.75	8.51	4.45	11.30	11.6	13.92	30.6	33.0	1.01	20 400	1.4	x	x	x	x	
10 B - 2 SS CB	0.625	15.875	9.65	10.16	5.08	13.28	14.6	16.59	35.5	38.6	1.34	29 000	1.8	x	x	x	x	
12 B - 2 SS CB	0.75	19.05	11.68	12.07	5.72	15.62	15.9	19.46	41.7	44.4	1.79	35 000	2.3	x	x	x	x	
16 B - 2 SS CB	1.00	25.4	17.02	15.88	8.28	25.40	20.5	31.88	67.4	74.0	4.21	81 000	5.3	x	x	x	x	



B inner link A outer link E connecting link with spring S connecting link with cotter pin C double cranked link

Connecting dimensions for roller chains, European and American types



- Required material hardness of fixing elements: at least 490 N/mm²
- To increase wear resistance, fit a bush (surface hardness rating approx. 60 HRC) to the connecting element, if joint mobility is required at the connection point.
- Hardened bushes are not required in case of static loading
- Please order bushes using the corresponding bush part no.
- The bush bore diameters d^{C10} result from press-fitting in bore diameter D^{S7}
- If no bushes are fitted, the bore d^{C10} is inserted directly into the connection element

Connecting dimensions for roller chains, European type, DIN ISO 606 (DIN 8187)

Chain no.	Pitch		Width between inner plates		Width over inner link		Plate thickness				Bore \emptyset								Bush part no.
	p		b ₁ min	b ₂ max	s	s ₁	s ₂	g max	e	f ₁	f ₂	h	b max	c	d ^{C10}	D ^{S7}	t	o	
	inch	mm	mm	mm	mm	mm	mm	mm	mm	mm	mm	mm	mm	mm	mm	mm	mm	mm	
08 B	0.50	12.70	7.75	11.30	1.70	1.70	1.25	11.60	13.92	10.30	8.40	11	11.20	6.0	4.45	6.27	2.7	7.5	001544
10 B	0.625	15.875	9.65	13.28	1.70	1.50	1.50	14.60	16.59	11.30	9.40	13	13.20	7.5	5.08	7.00	3.2	8.0	001543
12 B	0.75	19.05	11.68	15.62	1.80	1.80	1.80	15.90	19.46	13.20	11.10	16	15.60	10.0	5.72	8.40	3.8	9.5	001542
16 B	1.00	25.40	17.02	25.40	3.75	3.05	3.05	20.50	31.88	21.60	17.70	20	25.40	14.0	8.28	11.70	6.4	13.0	001541
20 B	1.25	31.75	19.56	29.00	4.50	4.50	3.50	25.70	36.45	24.10	20.20	26	29.00	16.5	10.19	14.00	7.4	16.5	001449
24 B	1.50	38.10	25.40	37.90	5.80	5.00	5.00	33.00	48.36	31.60	26.90	33	37.90	19.5	14.63	18.99	10.6	20.0	001540
28 B	1.75	44.45	30.99	46.50	6.50	5.50	6.00	37.00	59.56	36.60	31.60	36	46.50	23.0	15.90	21.64	12.6	24.0	001539
32 B	2.00	50.80	30.99	45.50	6.30	6.30	6.30	41.20	58.55	38.40	32.50	42	45.50	27.0	17.81	23.12	13.2	27.0	001538
40 B	2.50	63.50	38.10	55.70	8.50	8.00	8.00	51.50	72.29	47.50	39.40	52	55.70	35.0	22.89	29.18	16.6	35.0	017776
48 B	3.00	76.20	45.72	70.50	12.00	10.00	10.00	63.50	91.21	56.00	49.20	64	70.50	40.0	29.24	37.90	20.6	40.0	001535
56 B	3.50	88.90	53.34	81.30	13.60	12.00	12.00	77.00	106.60	64.80	57.80	77	81.30	45.0	34.32	43.50	25.0	51.0	001536

Connecting dimensions for roller chains, American type, DIN ISO 606 (DIN 8188)

Chain no.	Pitch		Width between inner plates		Width over inner link		Plate thickness				Bore \emptyset								Bush part no.
	p		b ₁ min	b ₂ max	s	s ₁	g max	e	f ₁	f ₂	h	b max	c	d ^{C10}	D ^{S7}	t	o		
	inch	mm	mm	mm	mm	mm	mm	mm	mm	mm	mm	mm	mm	mm	mm	mm	mm		
40	0.50	12.70	7.85	11.15	1.50	1.50	1.160	14.38	11.2	8.1	11	11.10	6.0	3.96	5.98	3.2	7.0	001544	
50	0.625	15.875	9.40	13.80	2.00	2.00	14.60	18.11	12.0	10.2	13	13.80	7.7	5.08	7.65	4.2	9.0	001543	
50	0.75	19.05	12.57	17.70	2.40	2.40	17.60	22.78	14.4	12.8	16	17.60	9.0	5.94	9.00	5.0	10.0	001542	
80	1.00	25.40	18.75	22.50	3.05	3.05	23.50	29.29	20.4	16.5	22	22.30	12.0	7.92	11.67	6.8	14.0	001541	
100	1.25	31.75	18.98	27.40	4.00	4.00	28.70	35.76	23.7	19.7	26	27.40	15.5	9.53	13.82	8.4	17.5	001449	
120	1.50	38.10	25.22	35.30	4.70	4.70	34.40	45.44	30.0	24.9	30	35.20	18.5	11.10	16.13	9.8	20.0	001540	
140	1.75	44.45	25.22	37.00	5.50	5.50	40.80	48.87	31.6	26.7	36	37.00	21.5	12.70	18.29	11.6	23.5	001539	
160	2.00	50.80	31.55	45.00	6.30	6.30	47.80	58.55	36.4	31.8	42	44.70	24.0	14.27	20.70	13.2	27.5	001538	
180	2.25	57.15	35.72	50.50	7.00	7.00	54.00	65.35	41.4	35.7	47	50.60	27.0	17.46	25.35	14.6	32.0	017776	
200	2.50	63.50	37.85	54.70	8.00	8.00	60.00	71.55	45.0	39.0	52	54.60	30.0	19.84	28.38	16.6	34.5	001535	
240	3.00	76.20	47.35	67.50	9.50	9.50	70.00	87.33	55.5	47.4	62	67.50	37.0	23.80	34.28	19.6	41.0	001536	

MODULE_03/GB/2014/12 // No liability accepted for misprints or errors!

Extreme Performance from Rexnord

Expert chains with innovative technology and materials:

- Stainless steel
- Seamless rollers
- High-tech carbon sliding sleeves
- Food-grade lubricants
- Alloy surfaces
- Anti-friction coatings



	RexAthletic	RexCarbon	RexPlus	RexPlusCarbon	RexHiPro	RexProX
--	-------------	-----------	---------	---------------	----------	---------

Chain characteristics

Chain size	0,5" to 2"	0,5" to 1"	0,5" to 1"	0,5" to 1"	0,5" to 2"	0,5" to 2"
Maintenance level	low	zero	normal	zero	normal	low
Fatigue resistance	100%	100%	60%	60%	100%	100%
Tensile strength	100%	100%	60%	60%	100%	100%
Specific bearing load	100%	50%	50%	50%	100%	100%
Chain speed	up to 20 m/s	up to 20 m/s	up to 4 m/s	up to 2 m/s	up to 20 m/s	up to 20 m/s
Rust and acid resistant	no	no	damp	damp	partly	no

Environmental conditions

Temperature range	0° C to 120° C *	-40° C to 100° C *	-40° C to 120° C *	-40° C to 100° C *	-30° C to 130° C *	0° C to 120° C *
Damp, corrosive atmosphere	partly	partly	damp	damp	damp	partly
Dusty	partly	damp	damp	damp	partly	partly
Hygienic	NSF H2	NSF H1	NSF H1	NSF H1	NSF H2	NSF H2

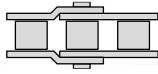
An appropriate lubrication method should be selected, depending on chain speed.

These guideline values are valid for shock-free loading, a shaft centre distance of 40 x pitch, with the chain running over two sprockets and a number of teeth z1 = 21; z2 = 42. Other drive parameters can be determined using the Rexnord chain calculation program Rex®Drive.

*The temperature range can be extended by using special high- or low-temperature lubricants.

Overview Rexnord Chains

Roller Chains



REXNORD
RexPro
RexPro lubrication
improved wear resistance
high fatigue resistance

- Outstanding protection against corrosion and wear
- Unique protection against chain joint stiffness
- Extremely eco-friendly

REXNORD
RexAthletic
good loading capacity
extended lubrication intervals

- Durable and low-maintenance
- Longer servicing intervals
- High loading capacity

REXNORD
RexCarbon
no lubrication
low noise

- Maintenance-free
- Low noise
- Eco-friendly

REXNORD
RexPlus
excellent corrosion resistance
high reliability

- Excellent resistance to rust and acids
- Highly reliable
- Fulfills hygiene requirements
- NSF H1 certification

REXNORD
RexPlusCarbon
no lubrication
excellent corrosion resistance

- Combination of RexPlus and RexCarbon
- Excellent resistance to rust and acids
- Maintenance-free
- NSF H1 certification

REXNORD
RexHiPro
good corrosion resistance
excellent loading capacity

- Outstanding corrosion resistance
- Long service life
- High loading capacity

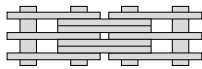
Link-Belt
a brand of
REXNORD

- The optimum choice for light and medium duty
- Good cost-benefit ratio
- High availability

REXNORD
RexProX
RexPro lubrication
improved wear resistance
high fatigue resistance

- Extremely high loading capacity
- Long service life
- Outstanding protection against corrosion and wear

Leaf Chains



REXNORD
RexPro
RexPro lubrication
improved wear resistance
high fatigue resistance

- Outstanding protection against corrosion and wear
- Unique protection against chain joint stiffness
- Extremely eco-friendly

REXNORD
RexHiPro
good corrosion resistance
excellent loading capacity

- Outstanding corrosion resistance
- Long service life
- High loading capacity

REXNORD
RexAthletic
good loading capacity
extended lubrication intervals

- Durable and low-maintenance
- Longer servicing intervals
- High loading capacity
- Extreme wear resistance for double-length service life

REXDL
a brand of
REXNORD

- The optimum choice for light and medium duty
- Good cost-benefit ratio
- Good availability